



— THE FLOATING —
VENICE

Discover a floating
paradise.



Take A Moment to Catch Your Breath

The World is visible from outer space, a collection of man-made islands that form a unique map of our planet. Surrounded by the Arabian Gulf, The World attracts a stunning variety of marine life all year round.

The Heart of Europe is a destination of 6 islands set against the backdrop of The World Islands, Dubai.

Our resorts and residences welcome guests as if to the home of a close friend, presenting a quintessential luxury lifestyle that is beyond imagination.

The Heart of Europe's distance
from mainland Dubai is 4 KM

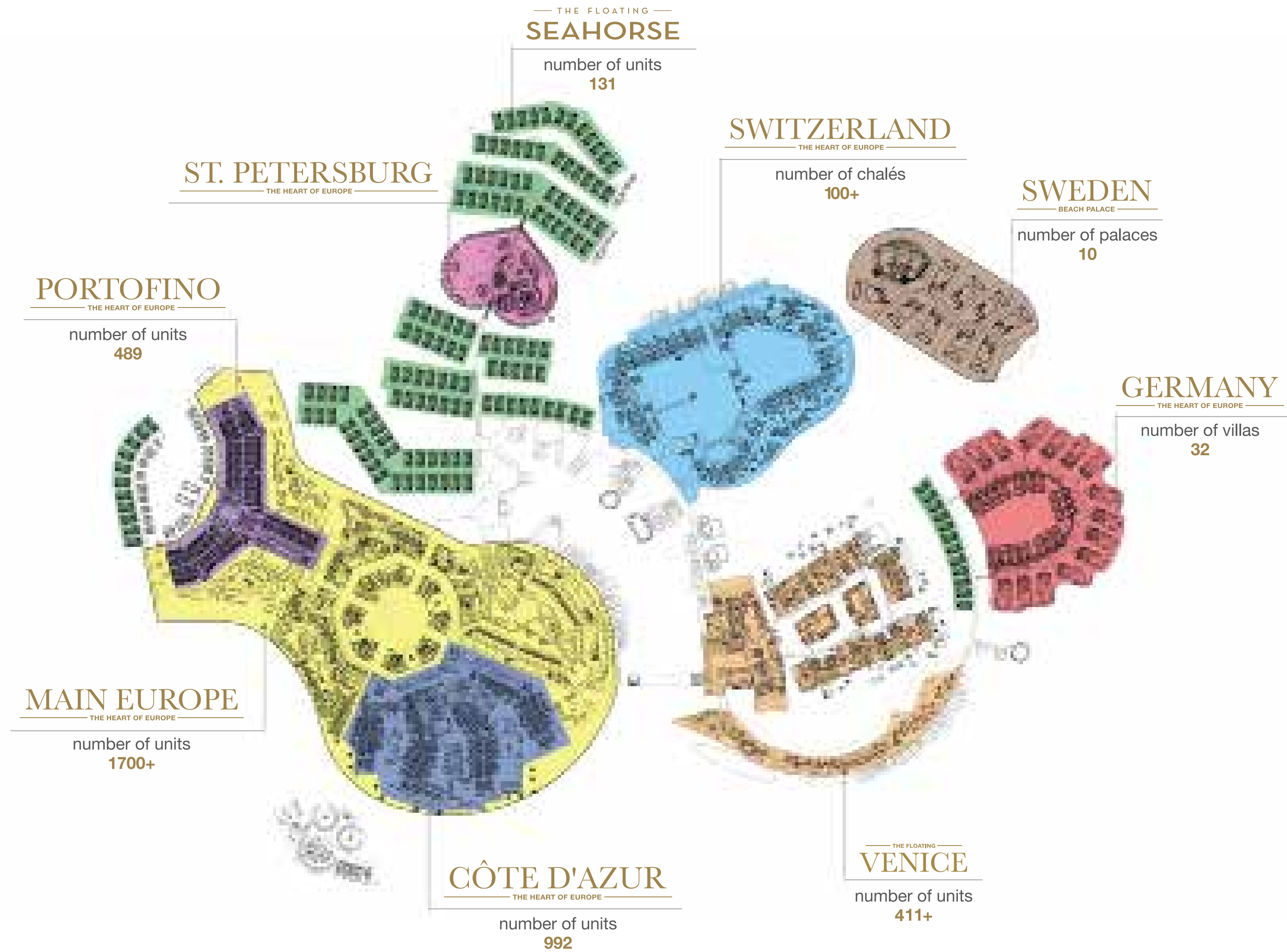




THE FLOATING VENICE



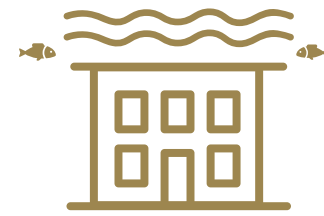
The Heart of Europe Masterplan



The Heart of Europe

6

WORLD FIRSTS



First Underwater Hotel with Gym and SPA



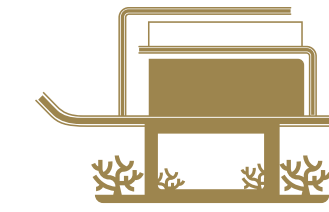
First Dedicated -5Star Family Hotel



First Dedicated Wedding Hotel



World's First Artificial Rainy Streets



First Floating and Underwater Living Experience



World's First Outdoor Snow Plaza

5bn

USD Project Value

4,000+

Units to be Delivered

1,500+

Employees

4,000

Jobs to be Created

50+

Yearly Attractions

13

Hotels & Resorts

6

Islands



THE FLOATING VENICE

Dwell in Serenity



A Floating Luxury

The spectacular Floating Venice, will be the world's first five-star floating destination, bringing the charm, serenity and culture of Venice to the seas of Dubai.

Inspired by the historic water city, it will be the world's first luxury underwater vessel resort, offering both five-star accommodation and dining experiences above and below the water.

180 of the 411 bespoke cabins as well as restaurants, bars and boutique shops will be underwater offering guests remarkable views of passing gondolas above and coral reefs teeming with life below.



UNDERWATER LOBBY AND CORAL GRADENS



WALKWAYS AND GONDOLA WATER CANALS



SAN MARCO PIAZZA SWIMMING POOL AND CABINS

Residences and Cabins



Ca' d'Oro LUXURY CABINS

The left and right wings of the vessel are divided in sections each with a sea-soaked majlis as the ocean gently flows through. There are 4 levels, one under water and 3 above, plus rooftop pools and lounges with views towards the resort and looking out to sea.

Guests can choose to stay in underwater cabins with coral gardens, beach access cabins and upper level cabins with seaview.





BAR LOUNGE SWIMMING POOL WITH BEACH ACCESS



BAR LOUNGE SWIMMING POOL WITH BEACH ACCESS



MAJLIS WITH GONDOLA PICK UP AREA



OPEN SEA MAJLIS AREA



UNDERWATER ADMIRAL CABIN



BEACH LEVEL COMMODORE CABIN



UPPER LEVEL COMMODORE CABIN

Il Million Luxury Cabins

The il Million luxury cabins sit in the center of the resort offering guest more privacy. All cabins and suites face the seawater courtyard which creates a tranquil space for residents and guests to swim and relax.



IL MILLION COURTYARD



IL MILLION COMMODORE CABIN FACING SEA WATER COURTYARD

EXTRAORDINARY EXPERIENCES

There are so many remarkable experiences to discover on The Floating Venice. From floating beaches, the world-class yacht club, the world's first underwater spa and gym, as well as diving for pearl oysters and to explore the magnificent coral reefs, guests and residents are assured an exhilarating experience.



THE FLOATING VENICE YACHT CLUB



UNDERWATER LOBBY



UNDERWATER GYM



UNDERWATER SPA WITH CORAL GARDEN



FLOATING BEACH ABOVE VENICE YACHT CLUB



PRIVATE FLOATING BEACH DECKS

Exceptional Experiences



The Wonders of Venice

The Floating Venice, shaped like the famous Piazza San Marco, redefines living and recreational spaces beyond the conventional. Intertwining ancient Venice with new, guests will explore the floating island by gondola, taking in the modern architecture influenced by the Gothic and Renaissance styles, then soaking up the sunset views of the Dubai skyline from the pool before descending to another world of luxury underwater living, fine dining and entertainment.

Celebrate the magic of traditional Venetian festivals including Fest del Redentore, La Biennale di Venezia, Festival del Cinema and Regata Storica.

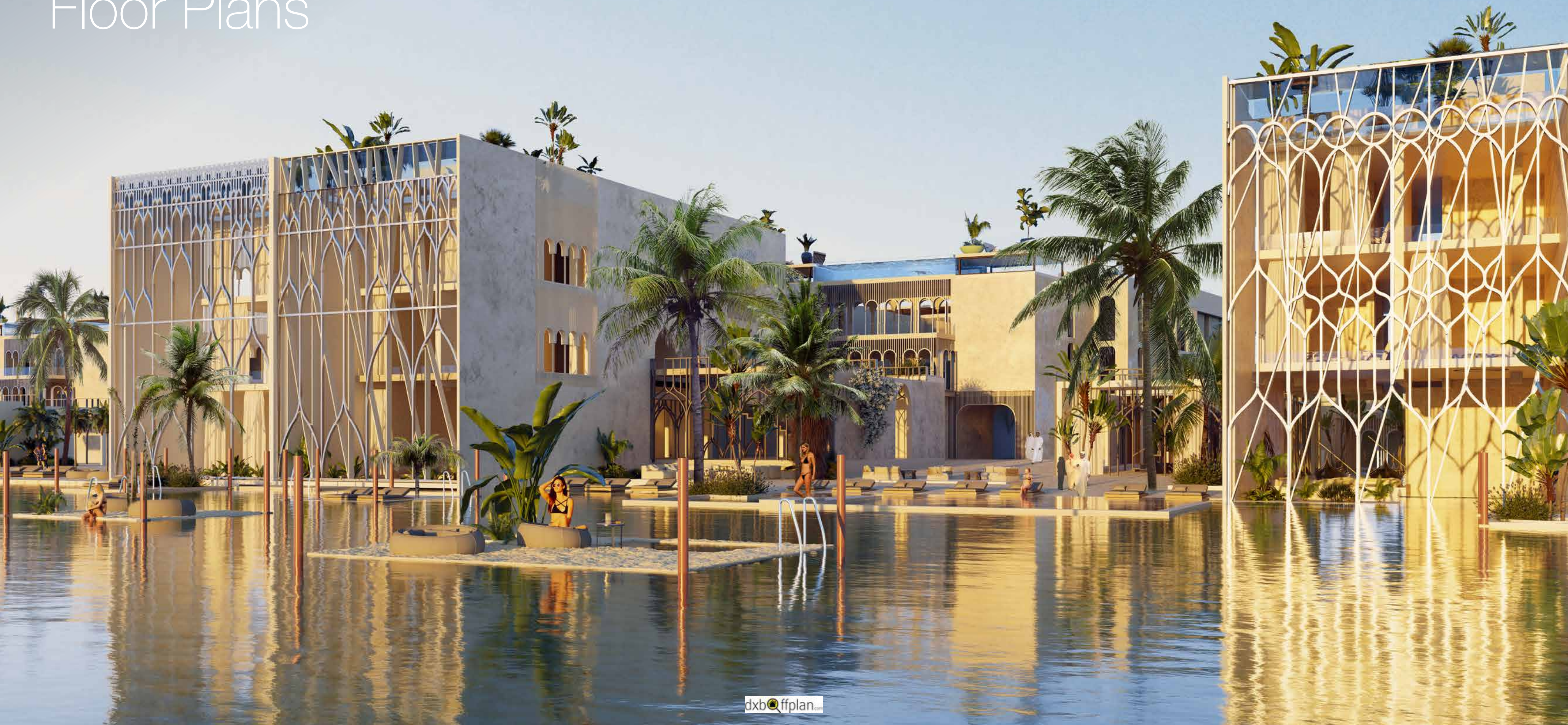


EN-SUITE CHILDREN'S ROOM

A celebration of the best European experiences in an unrivaled holiday home destination



Floor Plans



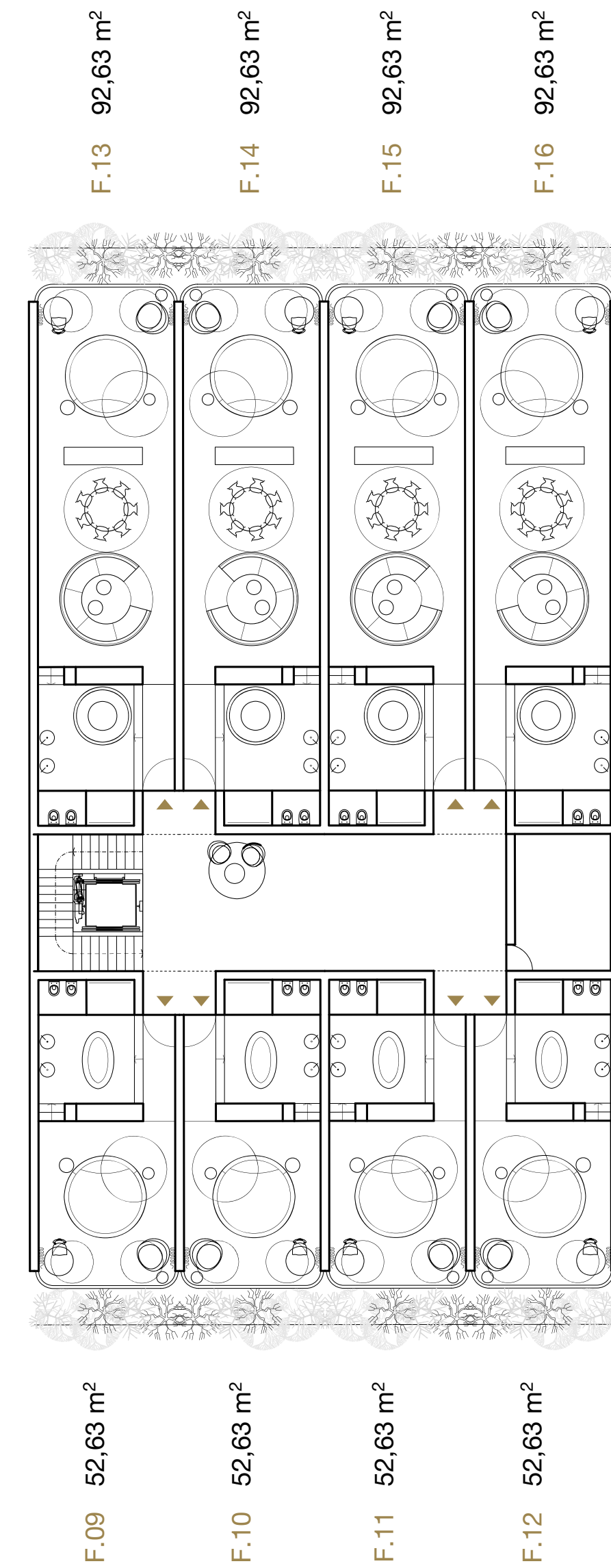
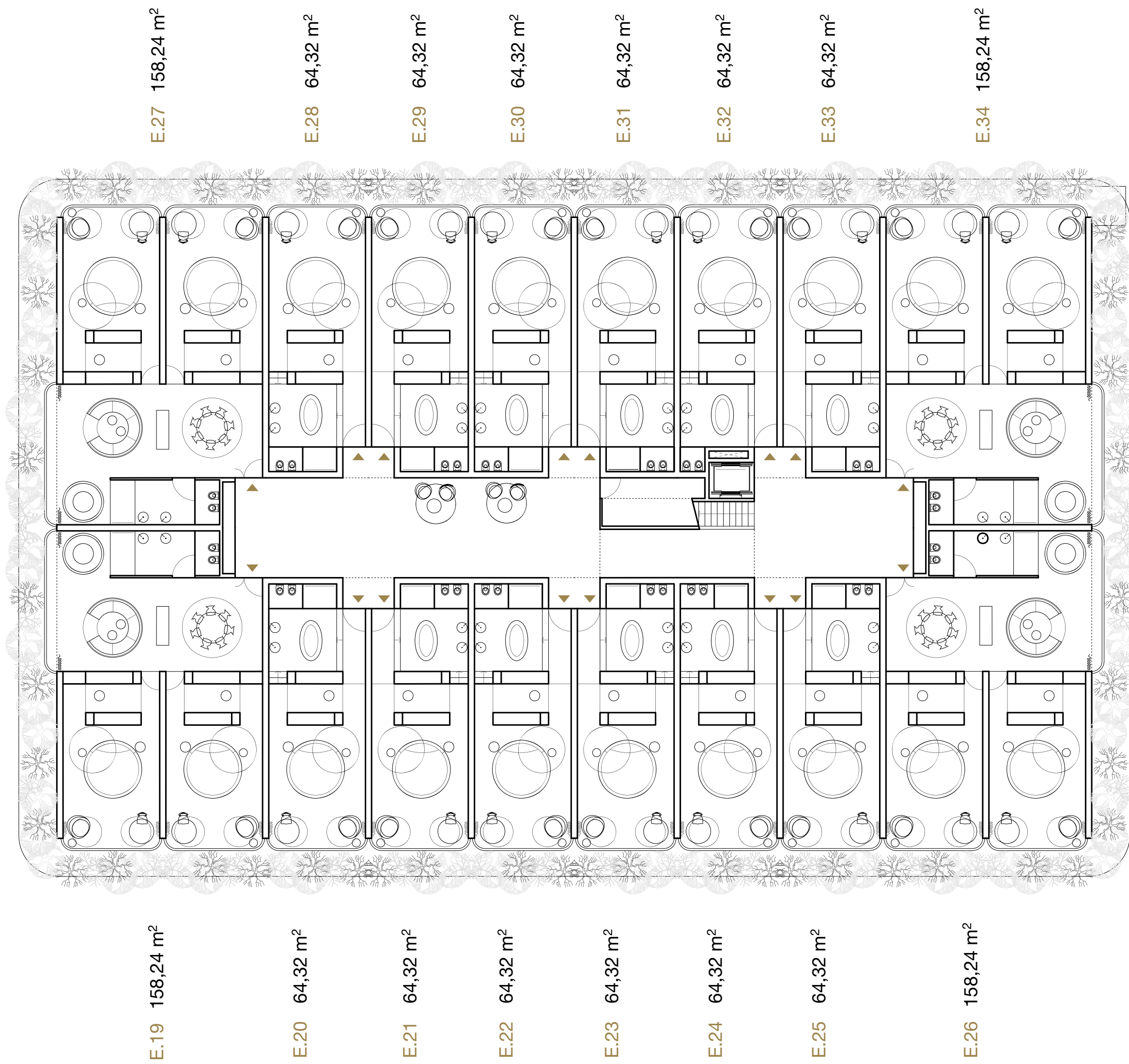


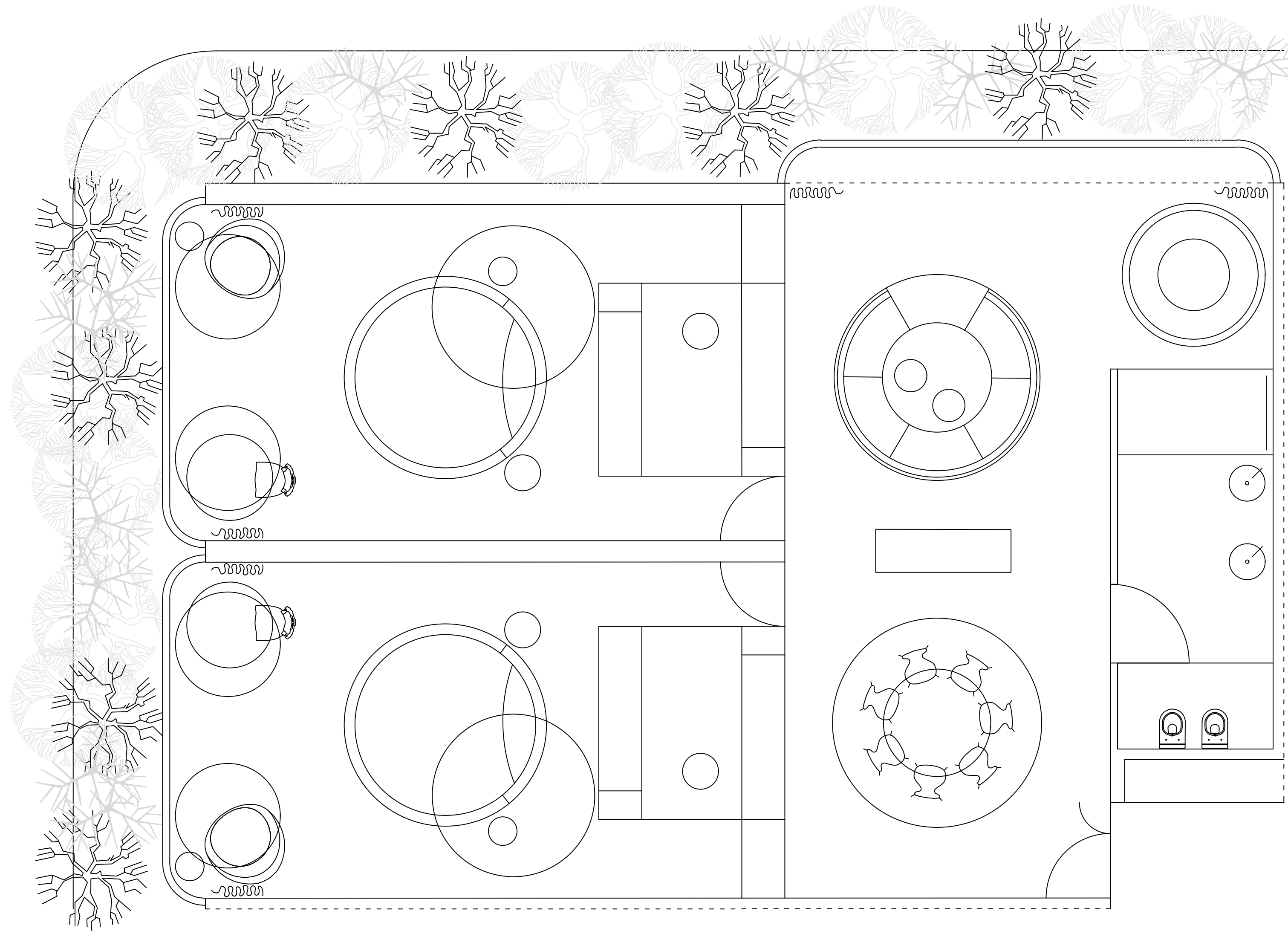


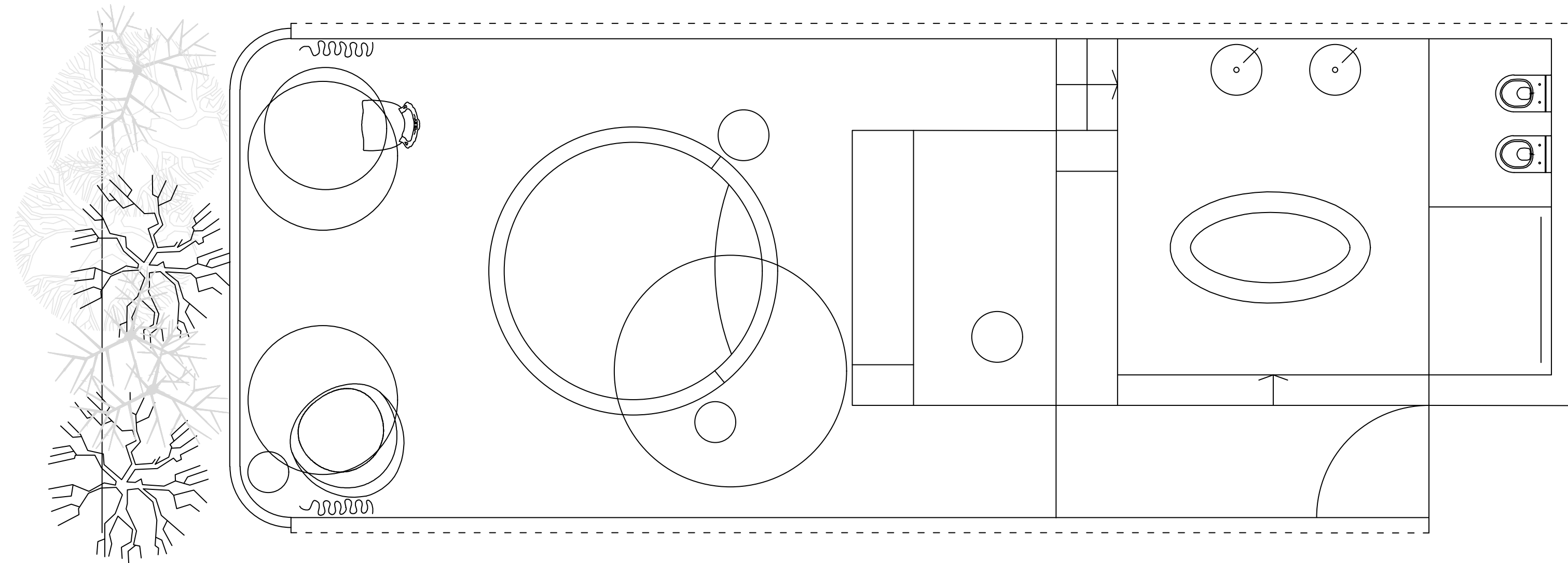


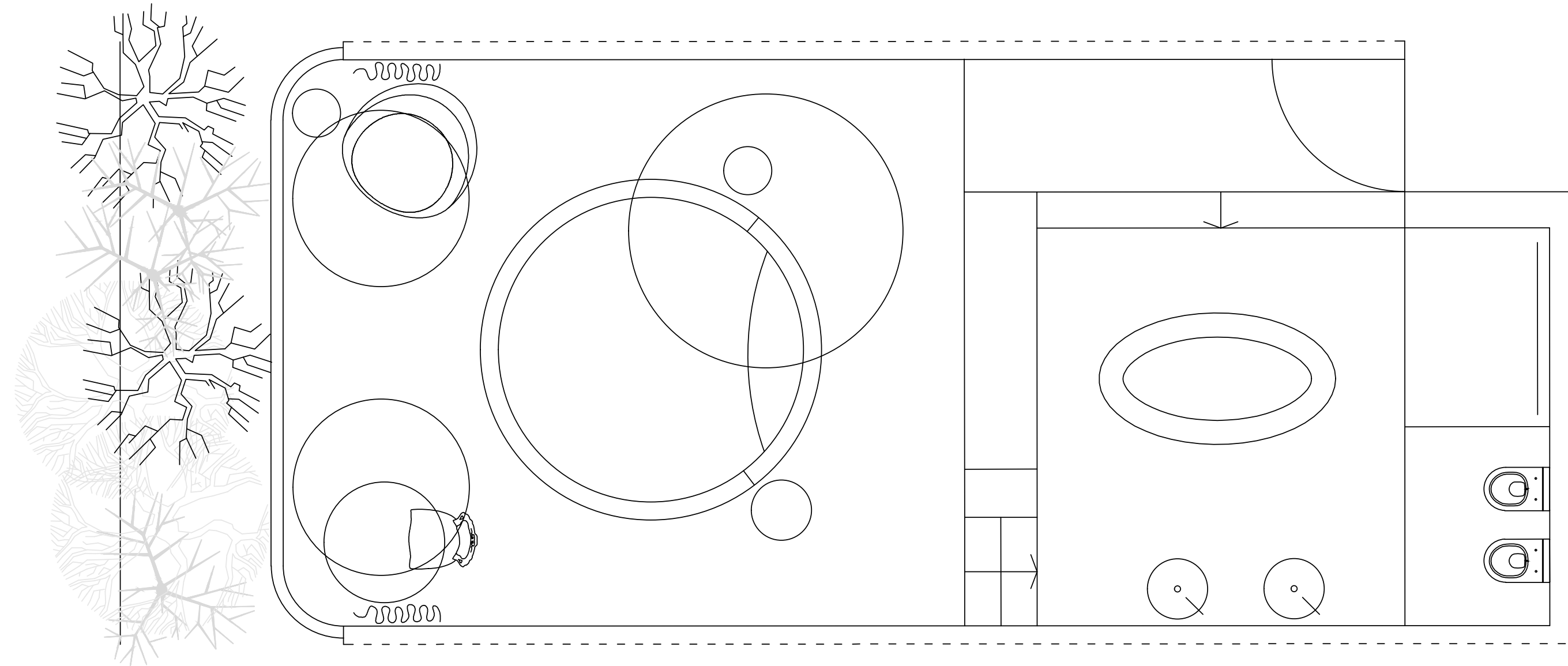


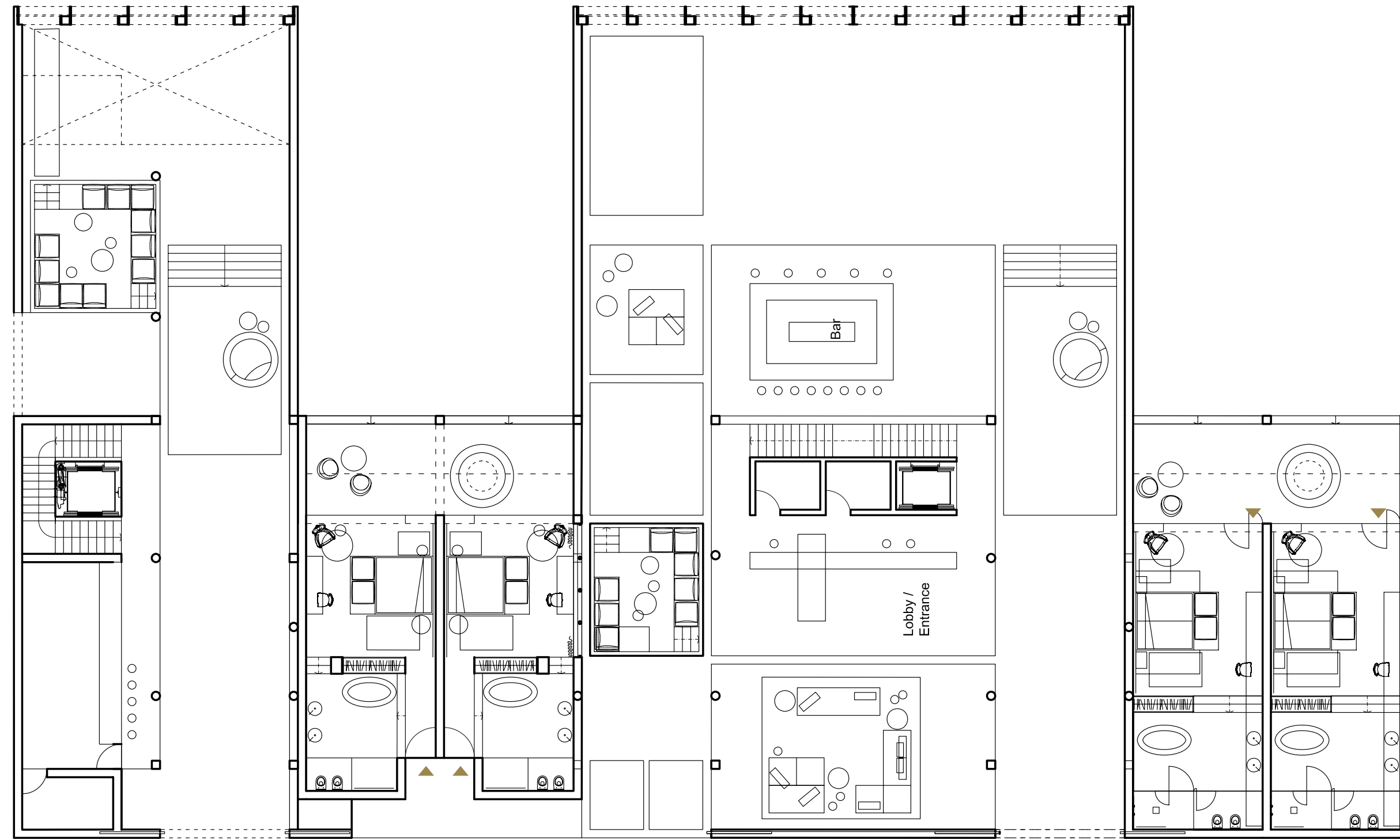
Ca' D'oro Underwater Level Plan









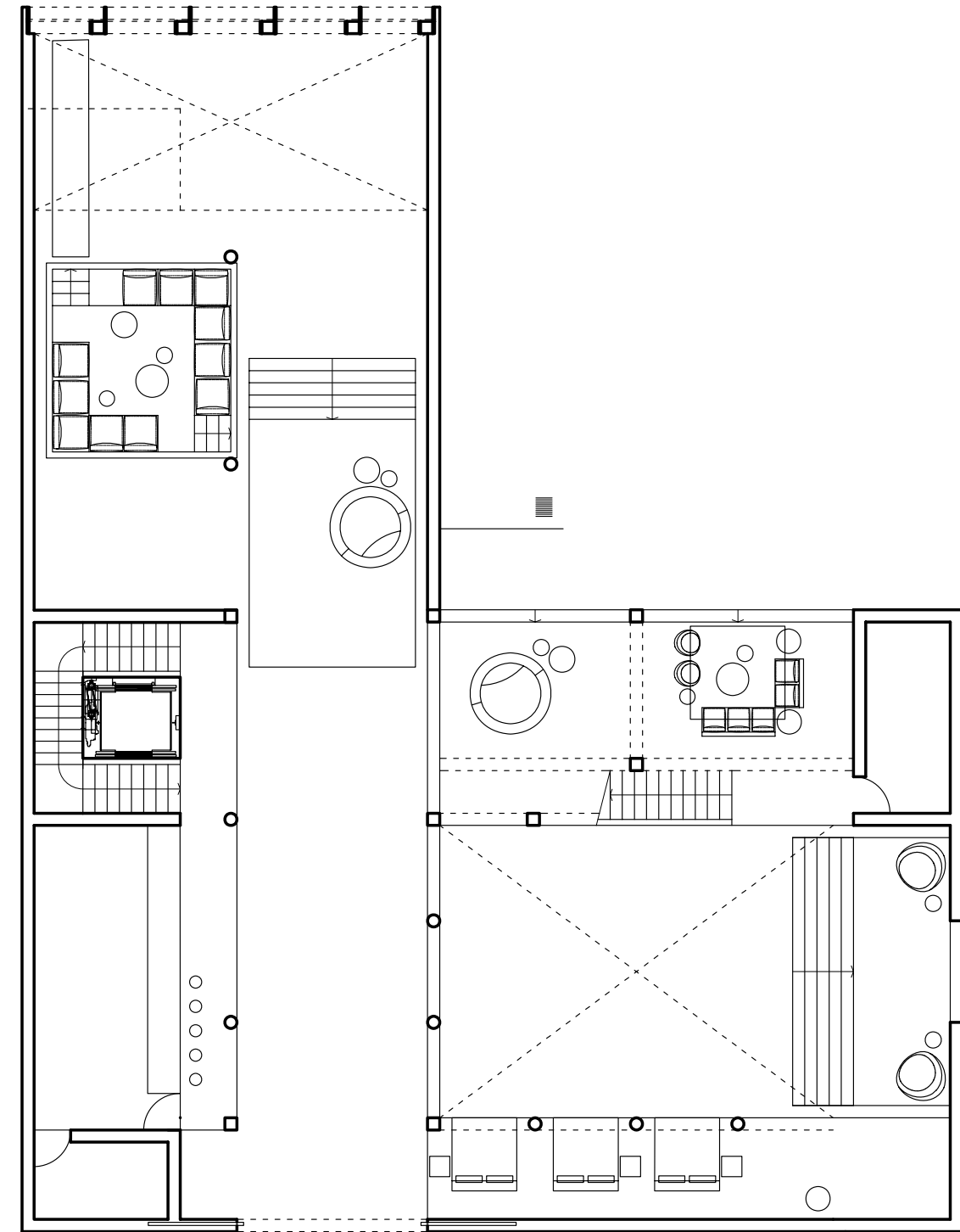


D.09 69,72 m²

D.10 69,72 m²

E.17 78,76 m²

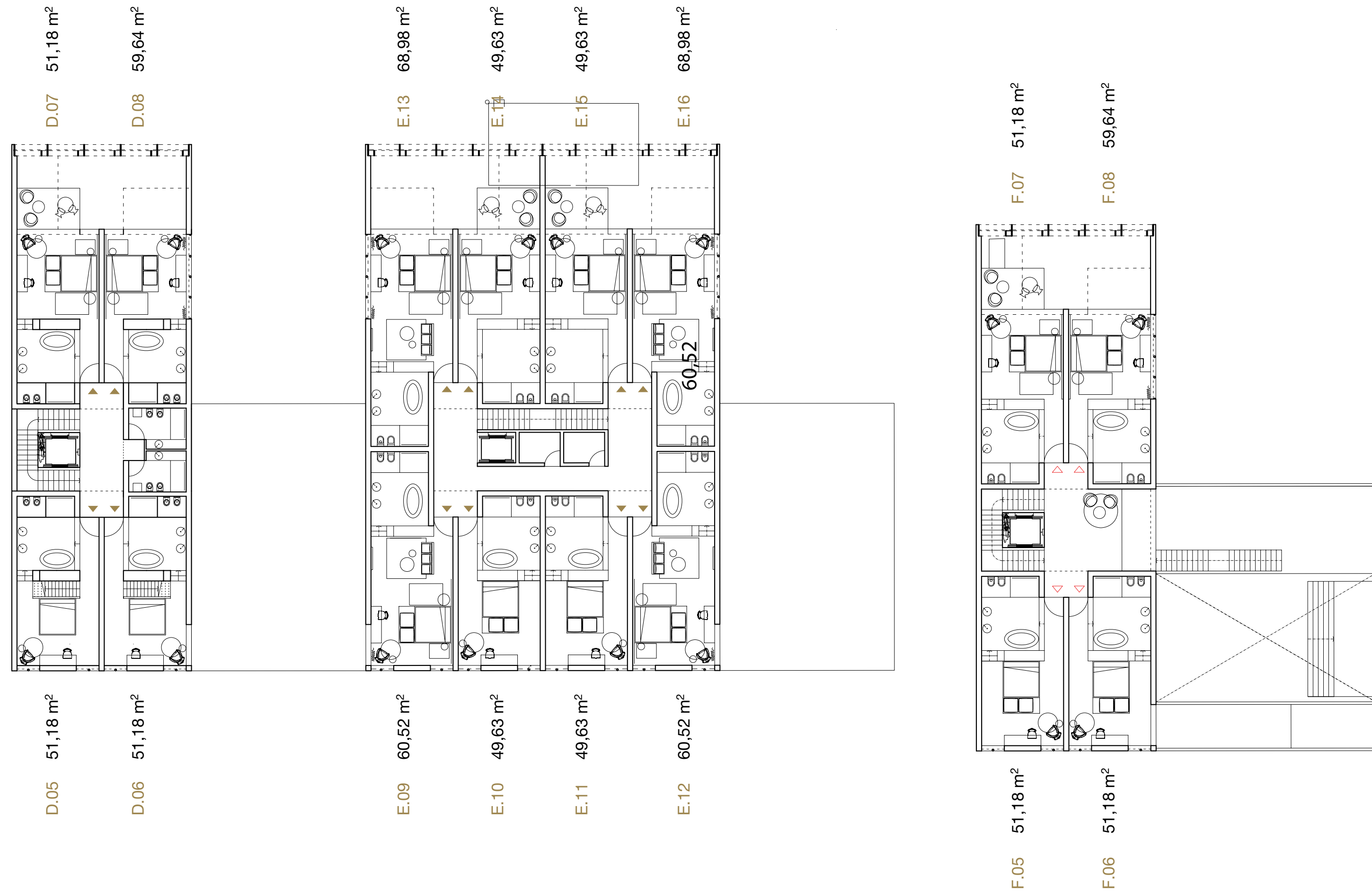
E.18 78,76 m²



Ca' D'oro First Deck Floor Plan



Ca' D'oro Second Deck Floor Plan



The Developer

